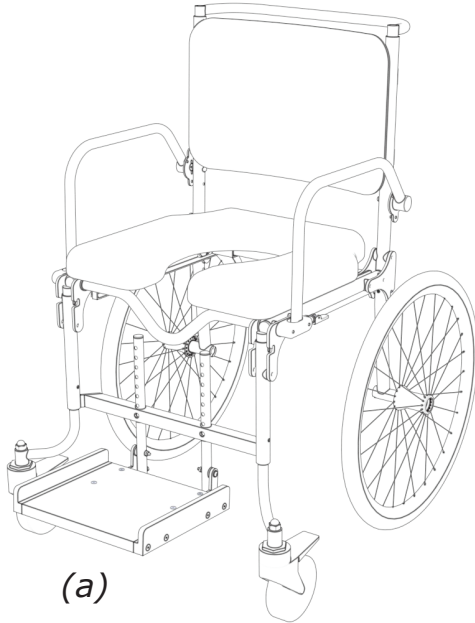


TUKKI

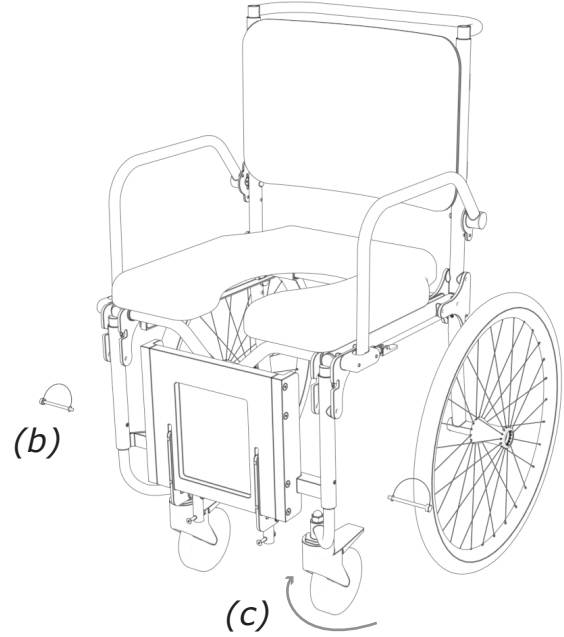
DESIGN CO LTD

Folding Shower-chair Assembly Instructions

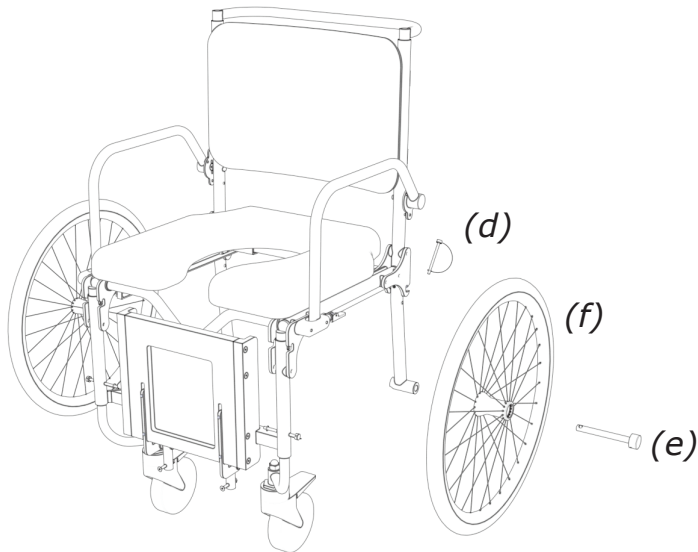
#1



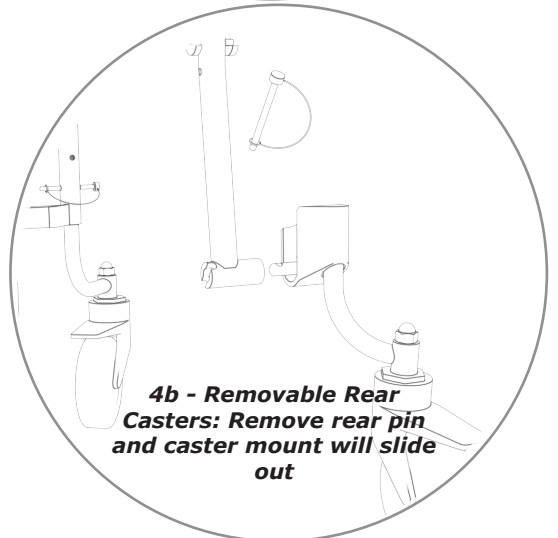
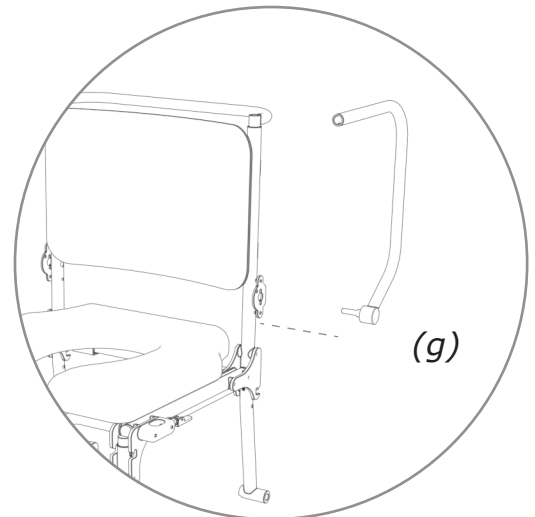
#2



#3



#4

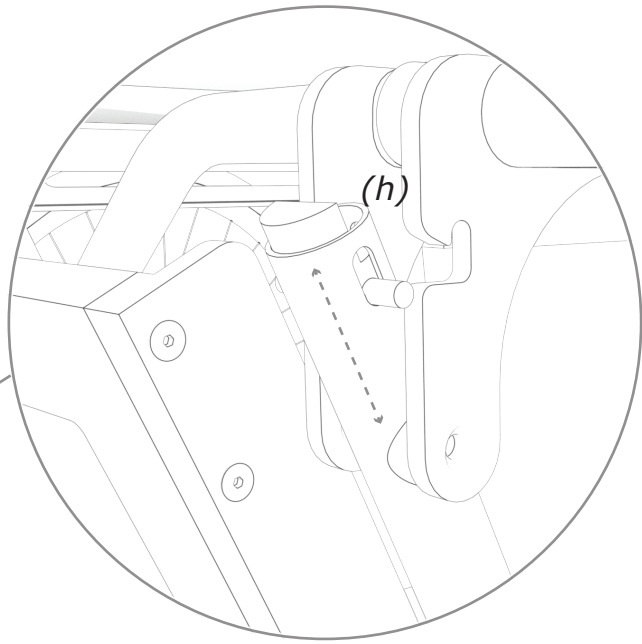
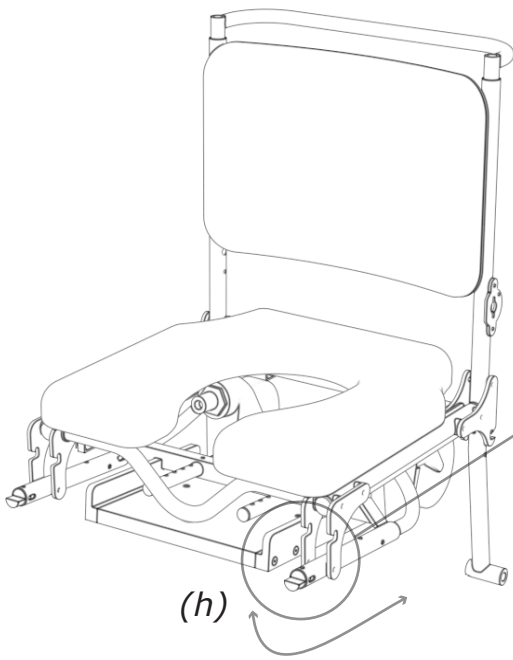


1 - Fold up footplate (a)

2 - Remove front pins (b), rotate front caster J's (c) 180 degrees then return front pins

**3 - Remove rear axle pin (d)
Rear axle (e) and wheel (f) can now be removed**

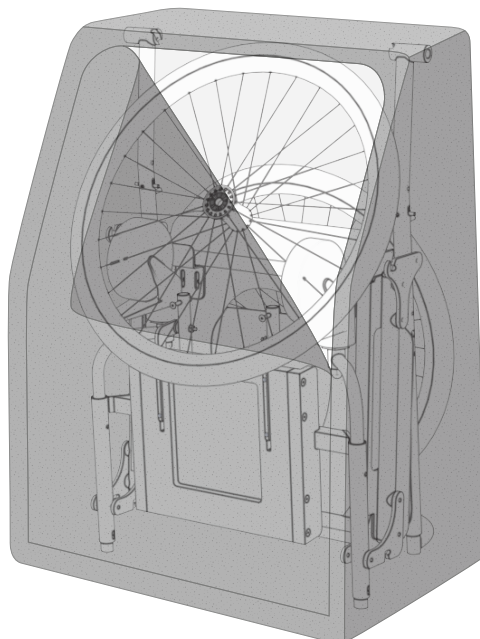
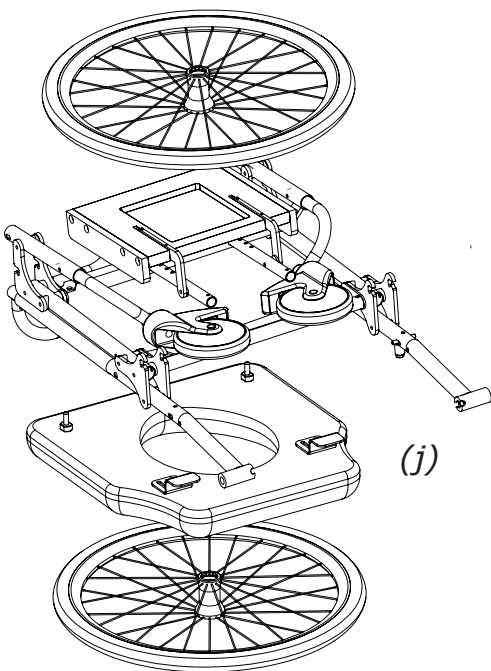
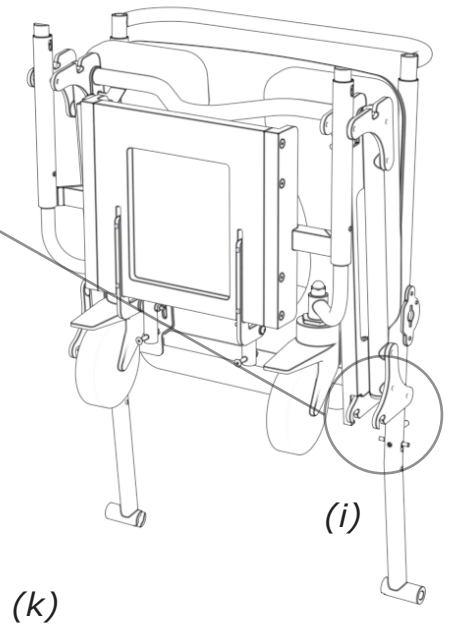
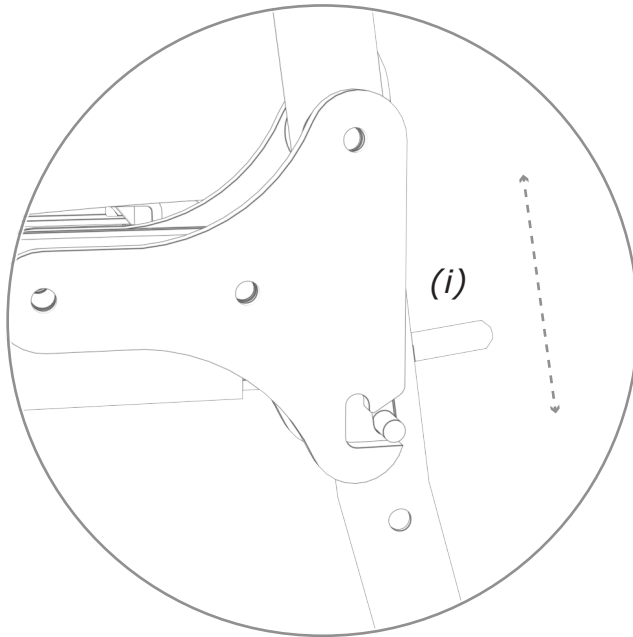
**4 - Lift armrest (g) to vertical position.
Armrest can now be removed**



#5 - Push down the buttons (h) found at the top of the front legs.

The front legs, casters and footplate can now be folded underneath the seat

6 - Remove Seat. Push down the rear hinge (i) leavers to allow the back poles to fold up.



7 - Place folded chair into the bag with the grab-bar at the bottom. Place seat behind backrest and one wheel (j) behind the chair with the hub positioned in the center of the seat cutout. Place the second wheel (k) angled on top of the chair and secure with the Velcro strap provided inside the shower chair bag.