

1 Chinook Pl, Hornby.
Christchurch, New Zealand.

(To Order: Please tick boxes and supply information and or measurements where required).

CONTACT DETAILS

Client Name: _____

Client Address: _____

Delivery Address: _____

Email: _____

Phone Number: _____ Grading: _____

Height: _____ Weight: _____

Shoes Size: _____ Disability: _____

Therapist Details: _____

UPHOLSTERY OPTIONS

Back: *Fixed Back* *Tension Adjustable*

Skirt Guards: *Fabric Skirt Guards* *Alloy Welded Skirt Guard*

Non-Welded Alloy

Hip Strap Length: _____ Footplate Strap Length: _____

NB: All upholstery comes with leather reinforcing on top of back poles, grab bar cover, tension adjustable seat, 2" cushion, padded back, hip strap and footplate strap. We can also supply extra strapping and padding to suit your requirements at an extra cost.

WHEELS & PUSHRIMS

Wheel Size: *24"* *25"*

Number of sets required: _____

Wheel Bag:

NB: All wheels are Spinergy Sports Spokes (black). All sets come with tyres, tubes and quick release axles. If you are using your own wheels or wheels from another supplier we will need your wheels one week before we start fabricating your frame.

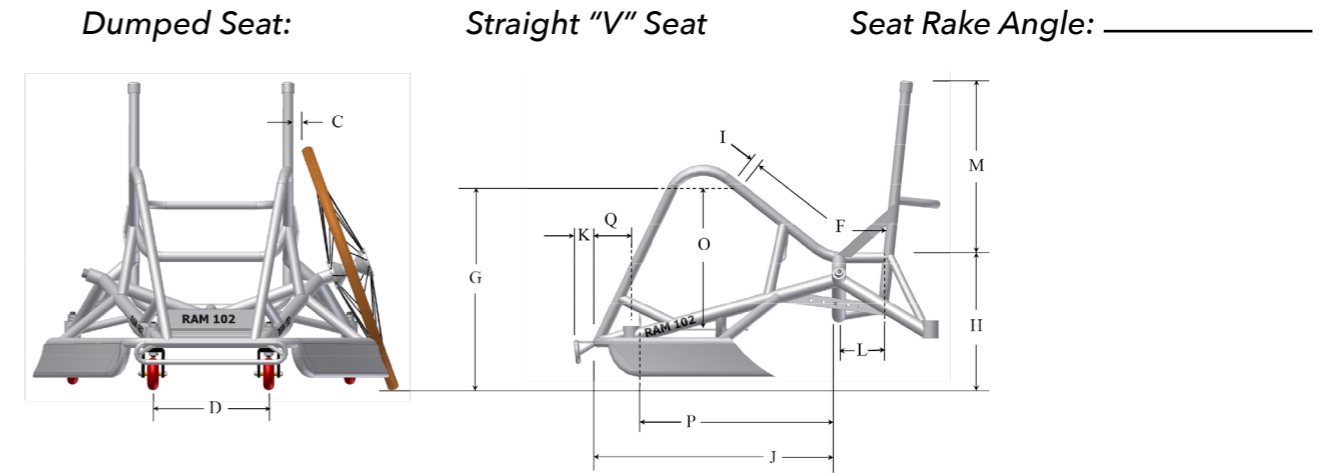
Pushrims: Aluminium Red Rubber Black Rubber

Gap Between Pushrim: _____

Spoke Guards: Aluminium (Welded) Polyethylene (black)
 Polycarb (clear)

Spoke Guard Position: Flush with wheels Flush with Pushrim

FRAME DIMENSIONS



- A) Seat width: _____
- B) Camber: _____
- C) Distance between wheel and back pole: (usually 3/4") _____
- D) Front axle width: _____
- E) Wheel size: _____
- F) Sling length: _____
- G) Seat to ground, front: _____
- H) Seat to ground, rear: _____
- I) Extra in-front of sling: _____
- J) Framelength: _____
- K) Pick bar extension length: _____
- L) Balance point: _____
- M) Back height: _____
- N) Back angle: _____
- O) Seat to foot rest: _____ Fixed Adjustable
- P) Horizontal foot position: (front of camber bar to inside toe-stop) _____
- Q) Front of wing to centre of front axle: (J+K=740mm max on 24" wheels) _____

PICK BAR STYLE

1/2" Alloy Bolt-On Steel - 8mm 1/4" Pick Bar angle: _____

Standard (above 11cm line) Inverted (below 11cm line)

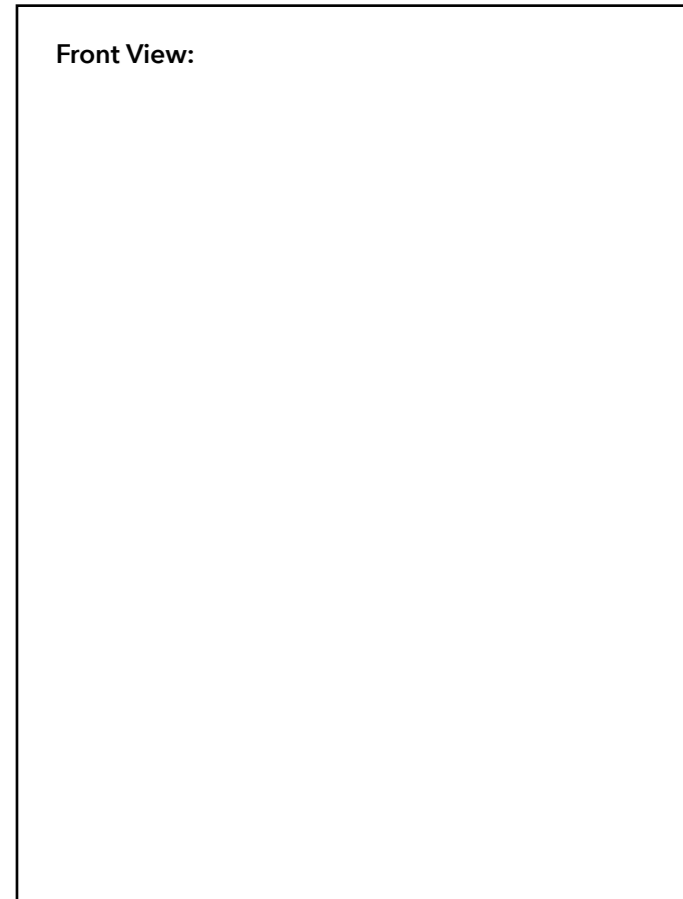
To Height: (max height 200mm) _____

Max Width: _____

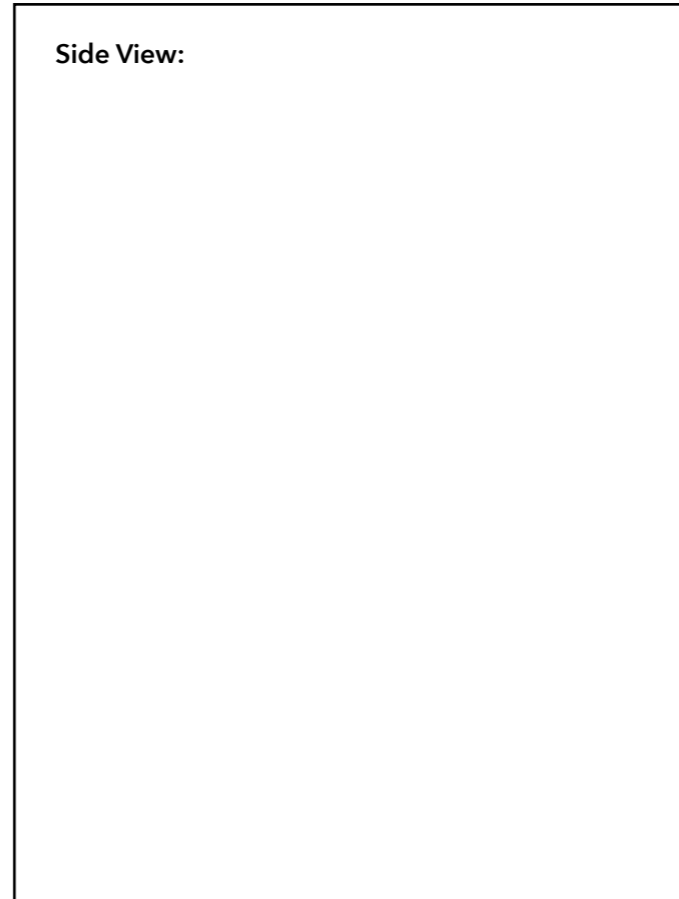
To Width of: (only required if not to max width) _____

Please draw style required:

Front View:



Side View:



WING STYLE

Full (Attacker) Wing Straight

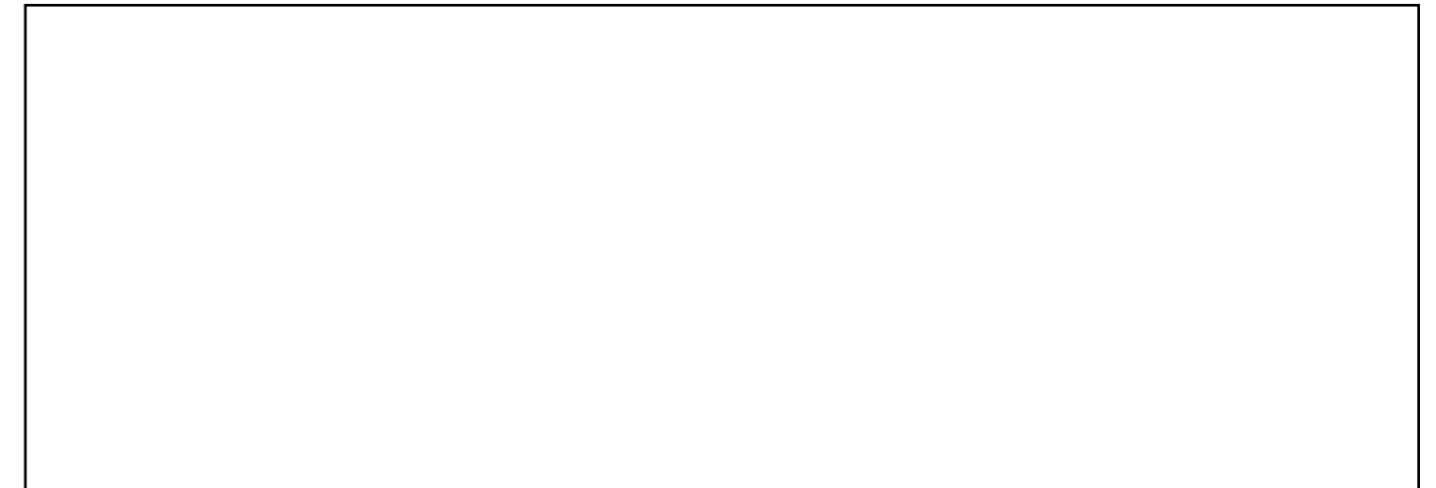
Short (Blocker) Wing Rounded

Standard: (Above 110mm Line) _____

Inverted: (Below 110mm Line) _____

To Height: (Max Height 200mm) _____

Please draw style required: (If not standard)



ANTI TIP GUARDS

Aluminium: Polyethylene(Plastic)

Distance From Ground: _____

Please draw style required:



NOTES:

